



# DELUXE JUNIOR

Travelling Irrigator



Our reputation is spreading

The Williams Deluxe Junior irrigator is a shorter armed version of the Spider Deluxe. This irrigator is specifically designed for smaller farms, with lower powered pumps (5.0-7.5hp). If at a later date a larger pump is installed, extensions can be bolted into the arms to convert your Deluxe Junior to a Spider Deluxe.

## FEATURES

6mm minimum application depth	Distribution uniformity of less than 1.25
4 travel speeds	Suitable for electric and PTO pumps
Even spread with new arm design	Travel distance up to 200 metres
4mm galvanised, stainless steel or synthetic wire rope with a length of 200m	NZ designed and manufactured
	Neat and tidy, easy to use
Drags up to 63mm alkathene	Built to last
Maximum volume of 90 cubic metres per hour	Cost effective



[www.williamsirrigation.com](http://www.williamsirrigation.com)

# Deluxe Junior Parts



CODE
DJ200G
DJ200N
DJ200G

## SPECIFICATIONS

Suits 5.0hp to 7.5hp High Pressure Pumps	
Travel Distance	200m
Spreading Width	20 - 25m
Boom Width	4.5m
Minimum Pressure	2 bar
Maximum Pressure	6 bar
Max. Draghose	63 od

### TRAVELLING IRRIGATORS - MODEL CODE

200, 250, 300, 400 denotes wire rope length/travel distance.

"G" denotes Galvanised Wire Rope.

"N" denotes Nylon/Synthetic Rope.

*Stainless Steel Wire Rope available on request.*

## MOST REQUIRED PARTS



SP5



SP110



SP1



SP2



DL900



DL107



DL1

PART	CODE
Camfollower Assembly	SP5
Side Plate Nylon Bearings	SP110
Power Nozzle	SP1
Nozzle Clamp	SP2
Cam Service Kit, bearings, seals, O ring and circlip only	DL900
Rotor Spindle	DL107
4mm Galv wire rope per metre	WIRE4G
4mm Synthetic wire rope per metre	SW4
4mm Stainless Steel wire rope per metre	WIRE4SS

## CAM



DL106



DLSCM



DLSCP

PART	CODE
Cam and Bearing Housing	DL106
Bearing Top	BEAR6010
50mm External Circlip	CEXT050B
Top Cam Seal	SEAL50X80
M10 x 35 Hex Set Full Thrd SS304	304HX10035S
Bearing Bottom	BEAR6011
M10 Nyloc Nut SS304	304NNYL10
O ring	ORING67X4

PART	CODE
Rotor Spindle (tapered S/S pipe that carries bearings)	DL107
M10 x 30 Hex Bolt/Nut 4.6 Galv	HX10030G
M10 Spring Washer Galv	WS10G
Cam Service Kit, bearings, seals, O ring and circlip only	DL900
Deluxe Speed Change Pipe	DLSCP
Deluxe Speed Change Mount	DLSCM

## CAMFOLLOWER



SP5B



SP5C



SP5D



SP5E



SP5

PART	CODE
Bolt with grease nipple	SP5B
M16 Flat Washer SS316	SP5C
Bush S/S	SP5D
Bearing Camfollower	SP5E
Complete Assembly	SP5

## SPRINGS



SP7G  
SP7S



SP8



SP3/3



SP21

PART	CODE
Tooth Spring Galv	SP7G
Tooth Spring Stainless Steel	SP7S
Crank Return Spring	SP8
Brake Spring	SP3/3
Barrel Spring (takes strain off wire when irrigator is tripped out)	SP21

## BRAKE ASSEMBLY



SP3

PART	CODE
Brake Assembly	SP3
Brake Block	SP3/2
Spring	SP3/3
M10 Heavy Flat Washer Galv	WFH1025G
Splitpin	SP301

## TOOTH



SP111



SP113

PART	CODE
Ratchet Tooth	SP111
Tooth pin including split pins	SP113

## AUTO SHUT OFF VALVE

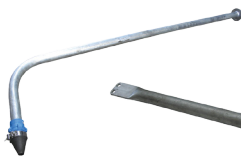
PART	CODE
50mm Shutoff Valve	DL800



## ROTOR BOOM



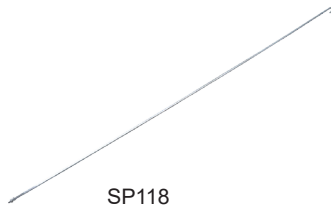
DL114



SP116



SP117



SP118



SP1M



SP1F



SP1



SP2



SP0

PART	CODE
Rotor Centre	DL114
Rotor Outer Extension 80° Bend (includes SP0)	SP116
Rotor Outer Extension 10° Bend (includes SP0)	SP116A
Stay Support Pole & Bolt	SP117
Stay Rod & Nuts	SP118
Nozzle quick release fittings male	SP1M
Nozzle quick release fitting female	SP1F
Power Nozzle with 13mm hole	SP1
Nozzle Clamp	SP2
Nozzle with Clamp and Quick Release Fittings	SP0
Rotor Seal 50 x 62 (3x per machine)	SEAL50X62

## WIRE ACCESSORIES



SLEEVE4



THIMBLE4



DL120



SHACKLE4



SP121



SP67



SP21



SP22



SP20

PART	CODE
Wire rope 4mm Galv per metre	WIRE4G
Wire rope 4mm Synthetic per metre	SW4
Wire rope 4mm SS per metre	WIRE4SS
4mm Sleeve (crimp)	SLEEVE4
4mm Thimble (eye)	THIMBLE4
Trip Wire	DL120
Trip Wire 6mm D Shackle Galv	SHACKLE4
Wire Guide (where the wire runs through on irrigator)	SP121
Anchoring Chain, Grab hook and D Shackle	SP67
Barrel Spring	SP21
Barrel Washer	SP22
Wire Stop (lets you stop the irrigator anywhere along the rope)	SP20

## DRUM AND CRANK



DL103



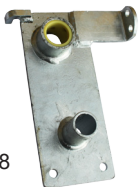
DL104/1



DL104/2



DL91



DL108



DL109



SP110



SP4



SP104B

PART	CODE
Winch Drum with Collar (not including shaft)	DL103
Crank Complete (for removable drum axle)	DL104/1
Crank Complete (for welded in drum axle)	DL104/2
Crank Bush	SP104B
Left Bearing Side Plate (includes bush)	DL108
Right Bearing Side Plate (includes bush)	DL109
Side Plate Nylon Bearing	SP110
Winch Crank Handle	SP4
Deluxe Drum Axle	DL91

## WHEELS



SP11

PART	CODE
Wheel Assembly	SP11
Wheel Bush/pair	SP11B
Wheel Lynch Pin	B3
M20 Flat Washer Galv	WFH2039G

Wheel includes 19mm bushes. Spiders prior to 2004 require 20mm. Please state bush size when ordering.

## WIRE LAYER



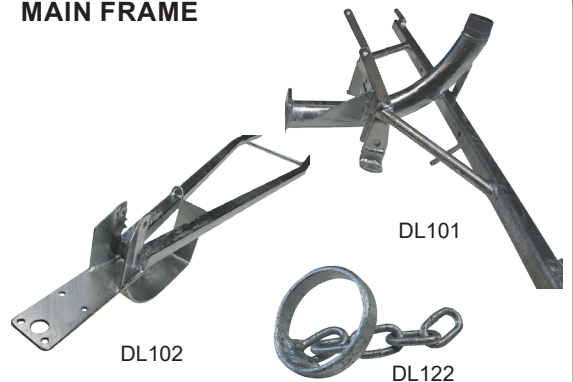
PART	CODE
Wire Layer Deluxe	WLDL

## TOW HITCH



PART	CODE
Tow Hitch Assembly (incl bolts)	SP45

## MAIN FRAME



DL102

DL101

DL122

PART	CODE
Rear frame and axle	DL101
Front frame and draw bar	DL102
Hose Puller	DL122