



GB MAGNUM

Travelling Raingun

WILLIAMS

NZ Patent #603925

Our reputation is spreading

The Williams GB Magnum travelling raingun irrigator is the first of its kind. The patented design combines the performance of a static raingun with the reliability of our Greenback travelling irrigator to create an irrigator that we believe surpasses all competing forms of effluent irrigation equipment. With a wetted width more than twice as wide as a traditional travelling irrigator, offering application rates and depths competitive with sprinkler systems, the Magnum is the obvious answer to your Moopoo problem.

FEATURES

Proven simple design	Unique gland sealing system using double lipped neoprene seals
Application depths of 3mm - 25mm and rates below 10mm per hour	5mm galvanised, stainless steel or synthetic wire rope with lengths of 250m, 300m and 400m
Wetted widths from 45m - 90m	
5 travel speeds	NZ designed and manufactured
Sime Synkro effluent raingun	Neat and tidy, easy to use
Designed to suit flow rates from 5ltr/sec - 14ltr/sec (18 m3 - 45 m3)	Built to last and cost effective

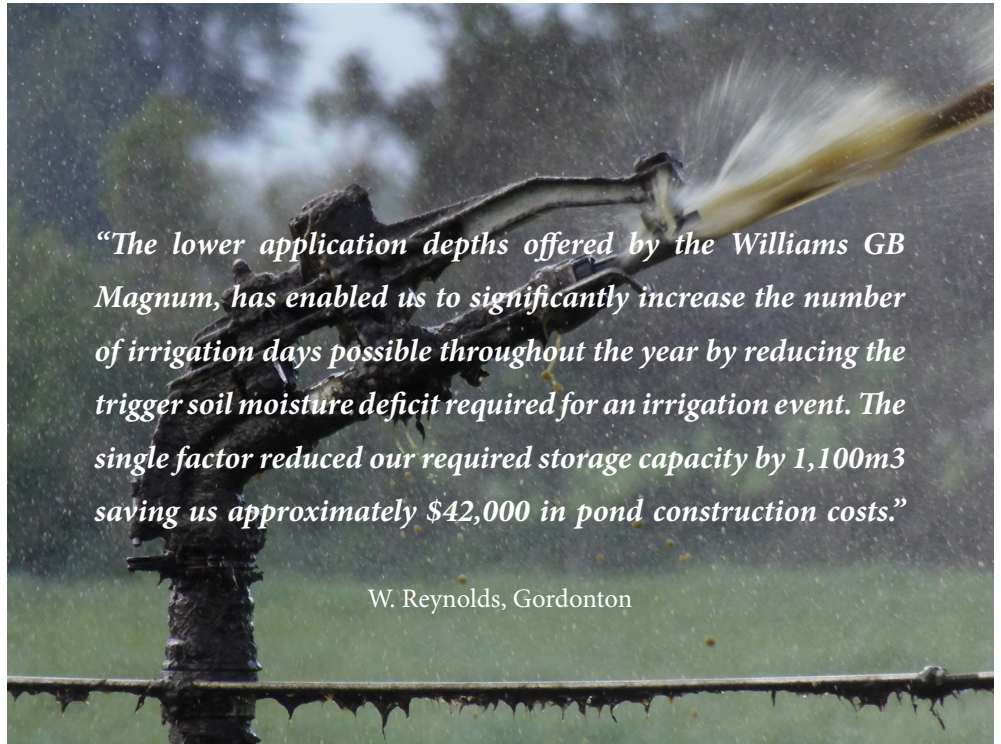


www.williamsirrigation.com

Williams' GB Magnum

SPECIFICATIONS

Travel Distance	250 - 400m
Wetting Width	45 - 90m
Boom Width	8.5m
Minimum Pressure	200 kpa
Maximum Pressure	600 kpa
Max. Draghose	90 od
Minimum Flow	17, 640 m3/hr
Maximum Flow	51, 360 m3/hr



“The lower application depths offered by the Williams GB Magnum, has enabled us to significantly increase the number of irrigation days possible throughout the year by reducing the trigger soil moisture deficit required for an irrigation event. The single factor reduced our required storage capacity by 1,100m3 saving us approximately \$42,000 in pond construction costs.”

W. Reynolds, Gordonton

GBMagnum



Our reputation is spreading

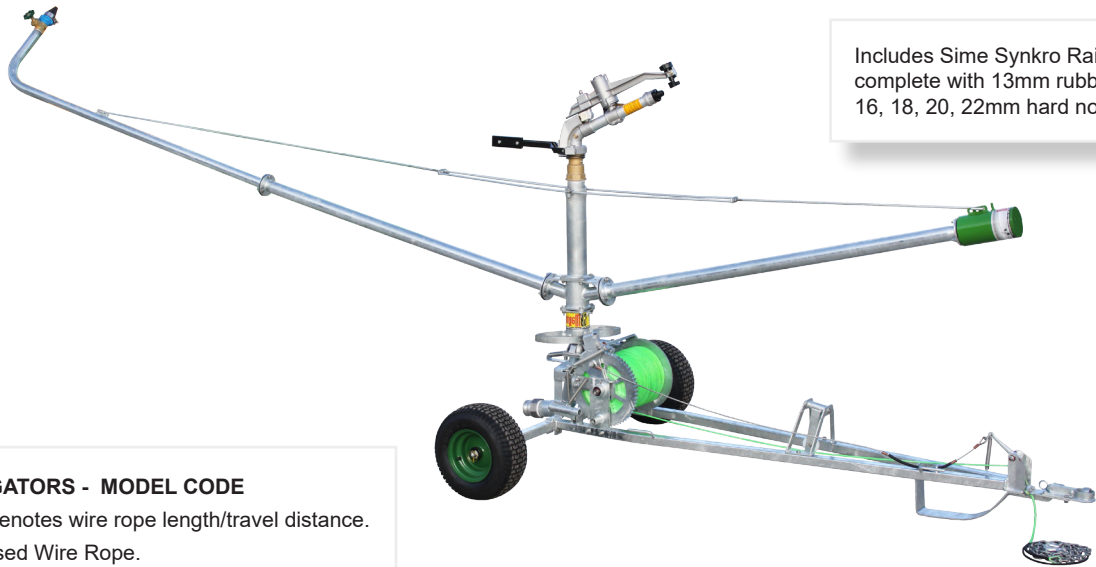
Performance Chart

Pressure (KPA)	Irrigator Nozzle (mm)	Synkro Nozzle (mm)	Flow Irrigator (l/min)	Flow Synkro (l/min)	Flow Total (l/min)	Radius (m) w/o Straightener	Radius (m) with Straightener	WITHOUT STRAIGHTENER		WITH STRAIGHTENER	
								Avg App Rate (mm/hour)	App Depth(mm @ 3m/min)	Avg App Rate (mm/hour)	App Depth (mm)
200	13 Hard	14	120	174	294	21.5	25.5	12.15	2.67	8.64	2.16
300	13 Hard	14	152	212	364	26	30	10.28	2.61	7.72	1.60
400	13 Hard	14	169	245	414	29.5	34	9.09	2.53	7.05	1.59
200	13 Hard	16	120	226	346	23	27	12.49	2.89	9.06	1.73
300	13 Hard	16	152	276	428	28	32	10.43	2.80	7.98	1.74
400	13 Hard	16	169	320	489	32	36	9.12	2.69	7.21	1.72
500	13 Hard	16	180	356	536	35	39	8.36	2.63	6.73	1.71
200	13 Hard	18	120	286	406	25	29	12.41	3.06	9.22	1.86
300	13 Hard	18	152	350	502	30	34	10.65	3.00	8.29	1.90
400	13 Hard	18	169	404	573	34	38	9.47	2.92	7.58	1.89
500	13 Hard	18	180	452	632	38	42	8.36	2.78	6.84	1.84
200	13 Hard	20	120	354	474	27	31	12.42	3.24	9.42	2.01
300	13 Hard	20	152	432	584	32	36	10.89	3.22	8.61	2.06
400	13 Hard	20	169	501	670	36	40	9.87	3.16	8.00	2.07
500	13 Hard	20	180	560	740	40	44	8.83	3.04	7.30	2.03
300	13 Hard	22	152	522	674	33	37	11.82	3.57	9.40	2.30
400	13 Hard	22	169	604	773	38.5	42.5	9.96	3.34	8.17	2.21
500	13 Hard	22	180	676	856	41	45	9.73	3.40	8.07	2.28

*These tests have been conducted using liquid from an effluent pond to give the most accurate results possible. This information should only be used as a guideline.

GB Magnum Parts

CODE
GBM250G
GBM250N
GBM300G
GBM300N
GBM400G
GBM400N



Includes Sime Synkro Raingun complete with 13mm rubber, 14, 16, 18, 20, 22mm hard nozzles.

TRAVELLING IRRIGATORS - MODEL CODE

200, 250, 300, 400 denotes wire rope length/travel distance.

"G" denotes Galvanised Wire Rope.

"N" denotes Nylon/Synthetic Rope.

Stainless Steel Wire Rope available on request.

MOST REQUIRED PARTS



SP5L



SP110



SP1



SP2



GBM900



GBM107



GB1

PART	CODE
Camfollower Assembly	SP5L
Side Plate Nylon Bearings	SP110
Power Nozzle	SP1
Nozzle Clamp	SP2
Cam Service Kit, bearings, seals, o ring and circlip only	GBM900
Rotor Spindle	GBM107
250m of 5mm Galv Wire Rope with fittings	GB1
250m of 5mm Synthetic Wire Rope with fittings	SW5250
300m of 5mm Galv Wire Rope with fittings	GB3
300m of 5mm Synthetic Wire Rope with fittings	SW5300
400m of 5mm Galv Wire Rope with fittings	GB5
400m of 5mm Synthetic Wire Rope with fittings	SW5400

Stainless Steel Wire Rope available on request.

CAM



GB106

PART	CODE
Cam and bearing housing	GB106
Bearing Top	BEAR6012
60mm External Circlip	CEXT060B
M10 x 30 Hex Bolt/Nut 4.6 Galv	HX10030G
Bearing Bottom	BEAR6013
M10 Nyloc Nut SS304	304NNYL10
O ring	ORING76X4
M10 x 40 Hex Bolt/Nut 4.6 Galv	HX10040G
Rotor Spindle (tapered S/S pipe that carries bearings)	GBM107
Seal 60 x 95 (1x per machine)	SEAL60X95

CAMFOLLOWER



SP5L/B



SP5L/C



SP5L/D



SP5L/E



SP5L

PART	CODE
Bolt with grease nipple	SP5L/B
M16 Flat Washer SS316	SP5L/C
Bush S/S	SP5L/D
Bearing Camfollower	SP5L/E
Complete Assembly	SP5L

SPRINGS



SP7G
SP7S



SP8



SP3/3



SP21

PART	CODE
Tooth Spring Galv	SP7G
Tooth Spring Stainless Steel	SP7S
Crank Return Spring	SP8
Brake Spring	SP3/3
Barrel Spring (takes strain off wire when irrigator is tripped out)	SP21

BRAKE ASSEMBLY



SP3

PART	CODE
Brake Assembly	SP3
Brake Block	SP3/2
Spring	SP3/3
M10 Heavy Flat Washer Galv	WFH1025G
Splitpin	SP 301

AUTO SHUT OFF VALVE

PART	CODE
65mm Shut Off Valve	GB800



TOOTH

SP111



SP113



PART	CODE
Ratchet Tooth	SP111
Tooth pin including split pins	SP113

BOOM



Sime Synkro



SP116

GBM201



SP118



GBM200



GBM957526

PART	CODE
Sime Synkro Raingun	Sime Synkro
Rotor Intermediate Extensions	SP115
Rotor Outer Extension 80° Bend (includes SP0)	SP116
Gland Assembly	GBM200
Spindle Stem	GBM201
Stay Rod & Nuts	SP118
Stay Rod Centre Support	GBM203
Stay Rod Short	GBM118
Nylon Bush with Seals	GBM957526
Nozzle with Clamp and Quick Release Fittings	SP0
Seal 60 x 75 (6x per machine)	SEAL60X75

WIRE ACCESSORIES



PART	CODE
Wire rope 5mm Galv per metre	WIRE5G
Wire rope 5mm Synthetic per metre	SW5
Wire rope 5mm SS per metre	WIRE5SS
5mm Sleeve (crimp)	SLEEVE5
5mm Thimble (eye)	THIMBLE5
Trip Wire (5mm wire)	GB120
6mm D Shackle Galv	SHACKLE4
Wire Guide (where the wire runs through on irrigator)	SP121
Anchoring Chain, Grab hook and D Shackle	SP66
Barrel Spring	SP21
Barrel Washer	SP22
Wire Stop (lets you stop the irrigator anywhere along the rope)	SP20

DRUM AND CRANK



PART	CODE
Left Bearing Side Plate (includes bush)	SP108
Right Bearing Side Plate (includes bush)	SP109
Crank	GB104
Crank Bush	SP104B
Winch Crank Handle	SP4
Winch Drum with Collar (not including shaft)	GB103
Stainless Steel Drum Axle	GB91
GB Speed Change Pipe	GBSCP

WHEELS



PART	CODE
Wheel Assembly	GB11
Wheel Bush/pair	SP11B
Wheel Lynch Pin	B3
M20 Flat Washer Galv	WFH2039G

All GB Magnums have 19mm axles.

TOW HITCH

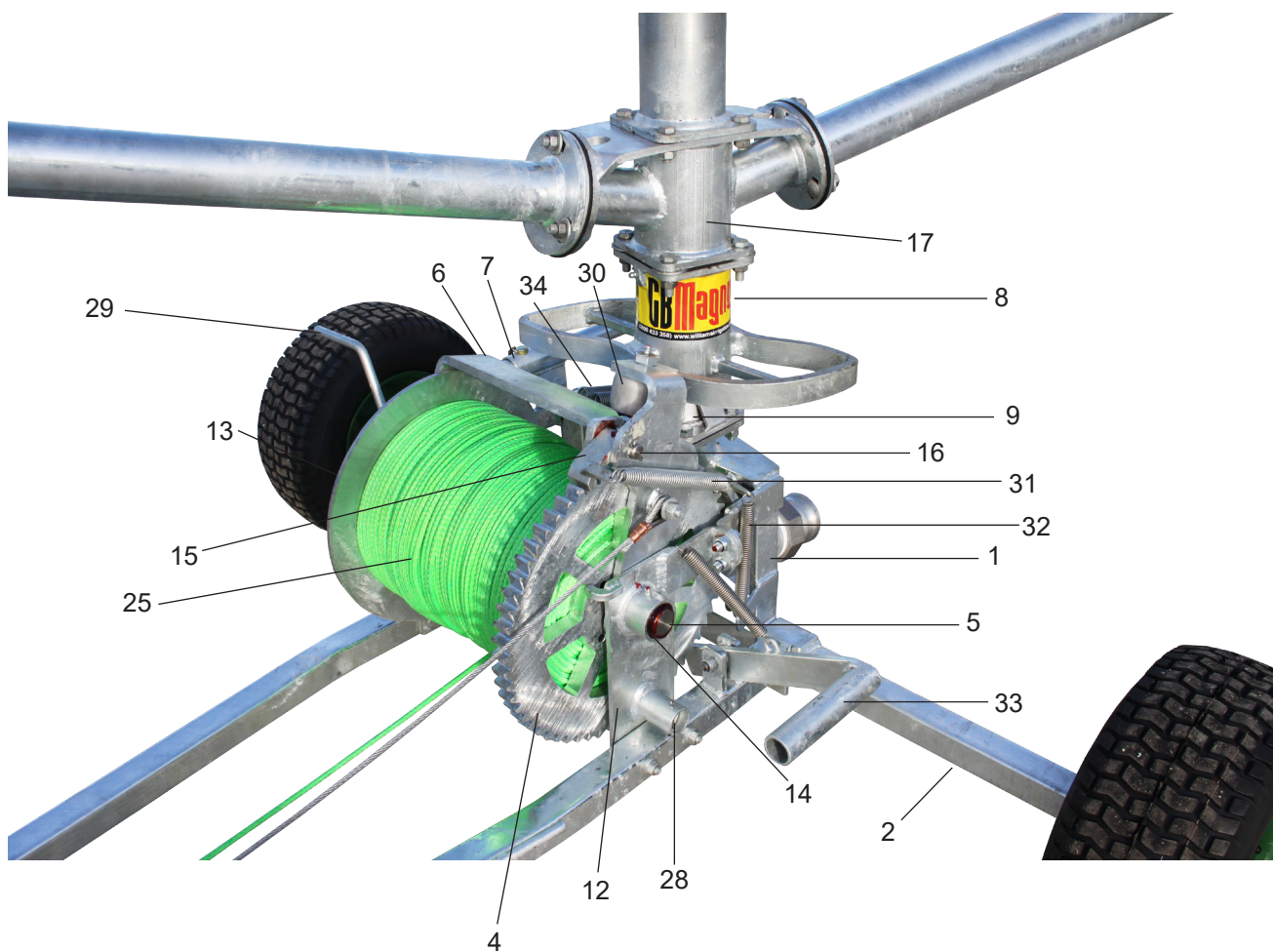
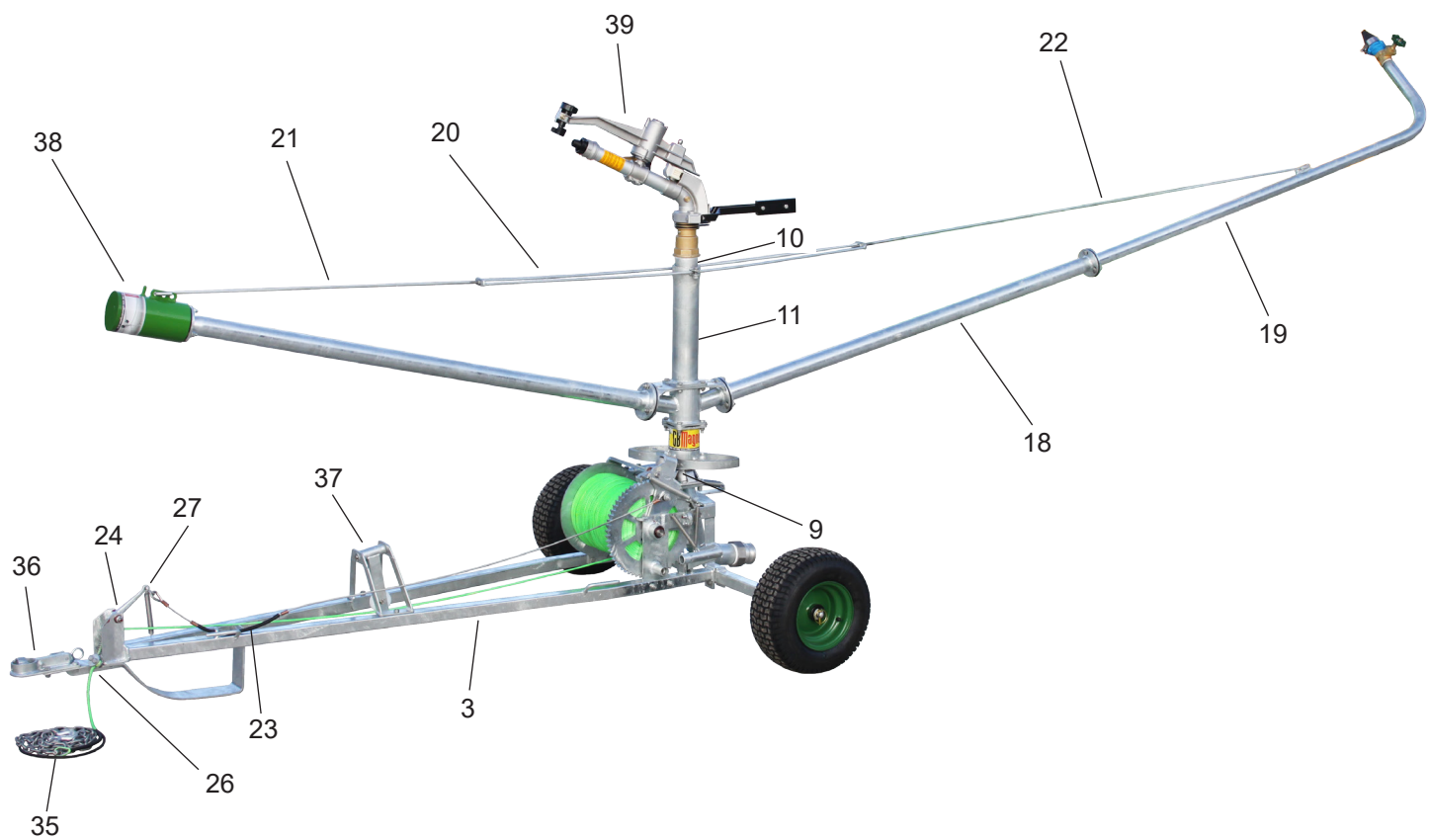


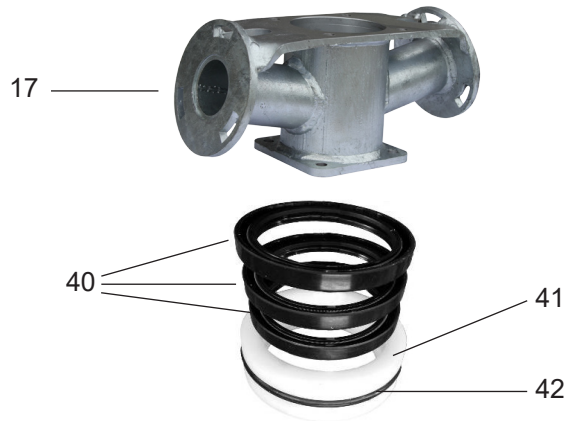
PART	CODE
Tow Hitch Assembly (incl bolts)	SP45

WIRE LAYER



PART	CODE
Wire Layer GB Magnum	WLGB





ITEM	PART DESCRIPTION	CODE
1	Rear Frame	GB101
2	Rear Axle	GB101A
3	Front Frame	GB102
4	Winch Drum	GB103
5	Winch Drum Axle	GB91
6	Crank	GB104
7	Speed Change Pipe	GBSCP
8	Cam and Bearing Housing	GB106
9	Rotor Spindle	GBM107
10	Spindle Stem	GBM201
11	Tower	GBMTOWER
12	Left Side Plate	SP108
13	Right Side Plate	SP109
14	Side Plate Bearing	SP110
15	Ratchet Tooth	SP111
16	Ratchet Tooth Pin	SP113
17	Gland Assembly	GBM200
18	Rotor Intermediate Arm Extensions	SP115
19	Rotor Outer Extension 80° Bend	SP116
20	Stay Rod Centre Support	GBM203
21	Stay Rod Short	GBM118
22	Stay Rod & Nuts	SP118
23	Trip Wire 5mm	GB120
24	Wire Guide	SP121
25	Wire Rope	WIRE5SS / WIRE5G / SW5
26	Wire Rope Fittings (sleeves, thimble, spring and wire stop)	FITTINGS5
27	Trip Wire Shackle	DSHKL06G
28	Brake Assembly	SP3
29	Winch Drum Handle	SP4
30	Camfollower Assembly	SP5L
31	Tooth Spring Galv	SP7G
32	Tooth Spring Stainless Steel	SP7S
33	Disengage Lever Assembly	GBDLEV
34	Crank Return Spring	SP8
35	Anchoring Chain, Grab Hook & D Shackle	SP66
36	Tow Hitch Assembly	SP45
37	Wire Layer	WLGB
38	Counter Weight	GBM208
39	Sime Synkro Raingun	SIME SYNKRO
40	Seal 60 x 75	SEAL6075
41	Nylon Bush with Seals	GBM957526
42	O-ring 85 x 5	ORING85X5